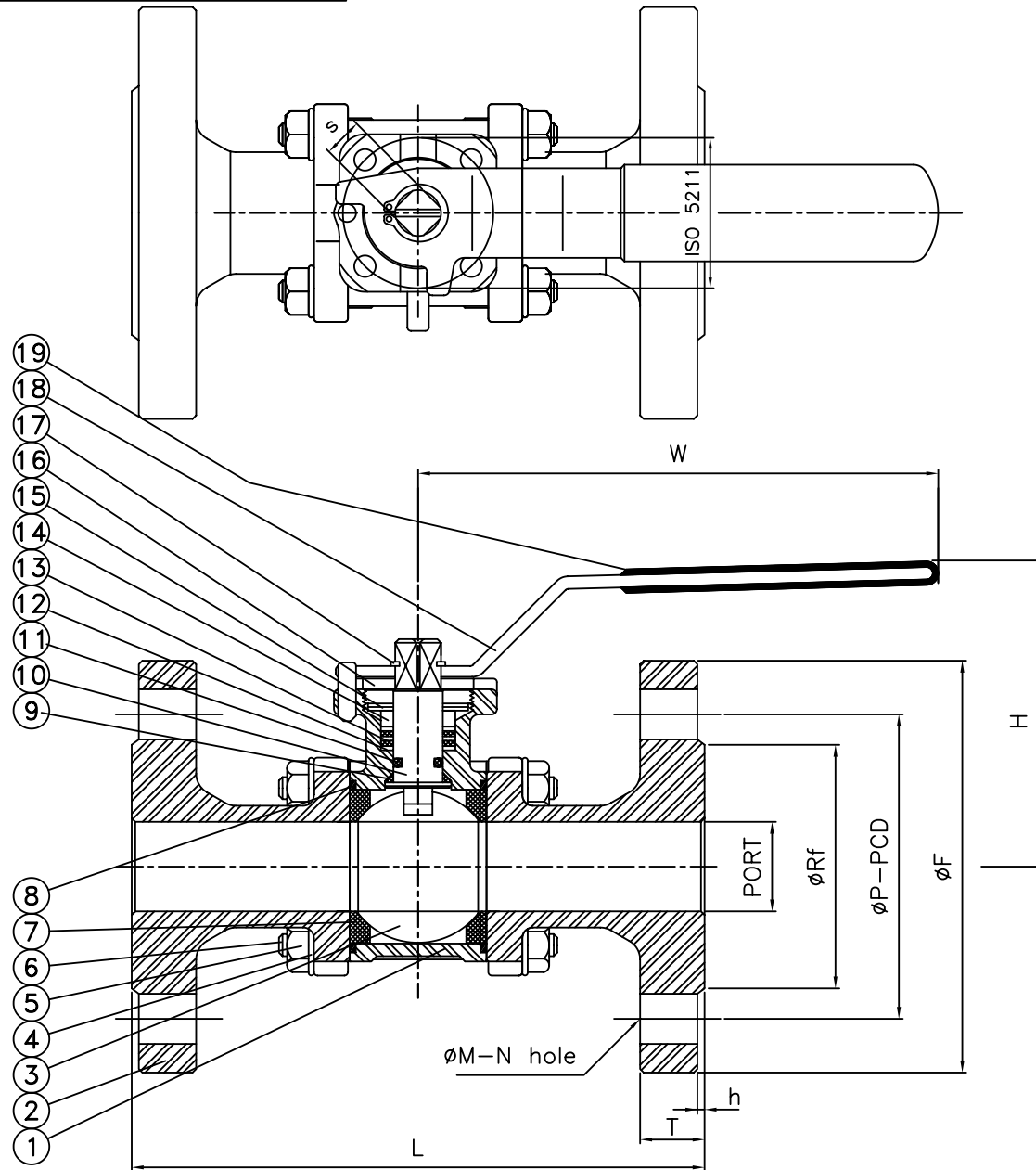


VL-540NF-AS

MATERIAL LIST

| No. | DESCRIPTION | SPECIFICATION |
|-----|------------------|---------------|
| 1. | BODY | CF8M |
| 2. | END CAP | CF8M |
| 3. | BALL | SS316 |
| 4. | BOLT WASHER | SS304 |
| 5. | BOLT NUT | SS304 |
| 6. | BOLT | SS304 |
| 7. | SEAT RING | PTFE |
| 8. | BODY SEAL | PTFE |
| 9. | THRUST WASHER | PTFE |
| 10. | STEM | SS316 |
| 11. | O-RING | VITON |
| 12. | STEM SEAL RING A | GRAFOIL |
| 13. | STEM SEAL RING B | PTFE |
| 14. | GLAND RING | SS304 |
| 15. | BEVEL WASHER | INCONEL X750 |
| 16. | STOPPER | SS304 |
| 17. | C-RING | INCONEL |
| 18. | HANDLE | SS304 |
| 19. | HANDLE COVER | PLASTIC |



DIMENSIONS (MM)

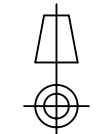
| SIZE | PORT | L | H | W | ØF | ØP | ØRf | T | h | M | N |
|--------|------|-----|-----|-----|-----|-----|-----|----|---|----|---|
| 1/2" | 16 | 130 | 64 | 125 | 95 | 65 | 75 | 16 | 2 | 14 | 4 |
| 3/4" | 20 | 150 | 67 | 125 | 105 | 75 | 90 | 18 | 2 | 14 | 4 |
| 1" | 25 | 160 | 83 | 140 | 115 | 85 | 100 | 18 | 2 | 14 | 4 |
| 1-1/4" | 32 | 180 | 89 | 140 | 140 | 100 | 110 | 18 | 2 | 18 | 4 |
| 1-1/2" | 40 | 200 | 100 | 200 | 150 | 110 | 125 | 18 | 3 | 18 | 4 |
| 2" | 50 | 230 | 108 | 200 | 165 | 125 | 150 | 20 | 3 | 18 | 4 |
| 2-1/2" | 65 | 290 | 150 | 250 | 185 | 145 | 190 | 22 | 3 | 18 | 8 |
| 3" | 80 | 310 | 161 | 250 | 200 | 160 | 220 | 24 | 3 | 18 | 8 |
| 4" | 100 | 350 | 180 | 290 | 235 | 190 | 270 | 24 | 3 | 22 | 8 |

* LENGTH ACCORDING TO DIN3202-F1



銓剛實業股份有限公司

VALAND INDUSTRIAL CORPORATION



ANGLE

| | | |
|-----------|-----------|-------------|
| 1001-2500 | ± 0.50 | ± 1.50 |
| 251-1000 | ± 0.20 | ± 1.00 |
| 64-250 | ± 0.20 | ± 0.50 |
| 17-63 | ± 0.10 | ± 0.30 |
| 5-16 | ± 0.07 | ± 0.20 |
| 1-4 | ± 0.05 | ± 0.15 |
| SIZE | MACHINING | INV.CASTING |

| | | | |
|---------|----------|-------------|---|
| DRAWING | DATE | Dec.11,1996 | DESCRIPTION FLANGED VL-540NF 3PC BALL VALVE ISO TOP 1000 WOG (CWP) THREADED TYPE |
| DESIGN | UNIT | MM | |
| CHECK | SCALE | FREE | |
| APPROVE | MATERIAL | | DRW.No. VL-540NF-AS |